

SDPTOP

Sunny Instruments

SZX12

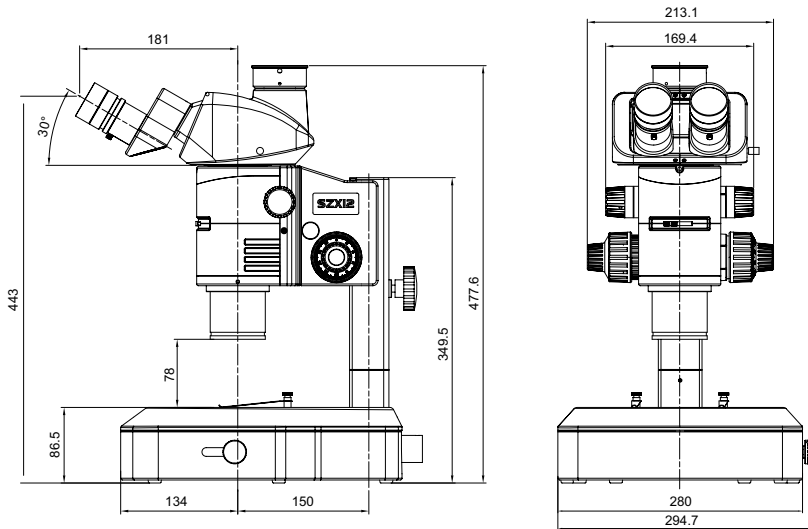
PARALLEL LIGHT STEREO MICROSCOPE



Feature

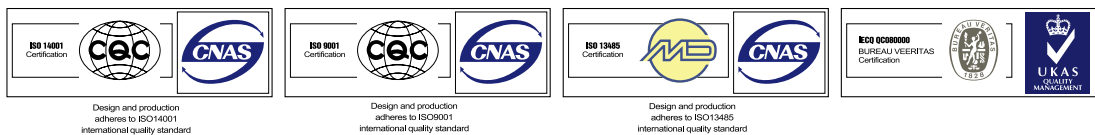
- Galileo optical system SZX12 with zoom ratio 12.5:1, provide comfortable operation and superior image, relieve the fatigue of long-time observation.
- LED illumination with the characteristics of safe, green, less heat and long lifetime, is highly efficient and economic, is able to restore the natural color of samples.
- Different applications, such as biomedical, microelectronics and semiconductor inspection, are available.

Dimension: mm



Specification:

Viewing Head	5 ~45 degree tilting trinocular head, splitting ratio binocular: trinocular = 100:0 or 0:100, inter-pupillary distance: 50-76mm
Eyepieces	High eye-point wide filed plan eyepiece PL10X/23mm, diopter adjustable
	High eye-point wide filed plan eyepiece PL15X/16mm, diopter adjustable
	High eye-point wide filed plan eyepiece PL20X/12.5mm, diopter adjustable
Objectives	Zoom objectives system 0.8X ~ 10X, zoom ratio 12.5:1, built-in aperture diaphragm; main scales 0.8X, 1X, 1.5X, 2X, 2.5X, 3X, 4X, 5X, 6X, 8X, 10X, with click stop
Frame	Coaxial fine and coarse focusing mechanism, integrated focus holder and stand, focusing range 50mm, fine precision 0.002mm
Base	Plan base with dia. 100 black & white plate
	Oblique illumination module with built-in 360 degree rotatable mirror, working with external 5W LED optical fiber
Illumination	5W LED (color temperature 5000-5500K) power pack, wide voltage 100-220VAC/50-60HZ, output 12V
	500mm single optical fiber
	LED ring lamp
Camera Adapter	0.5X/0.65X/1X C-mount adapter, focus adjustable



NINGBO SUNNY INSTRUMENTS CO.,LTD.

www.sunnyoptical.com
E1001B-1601
No additional notice for changes on the specification or appearance

ADD: No.66-68 Shunyu Road, Yuyao, Zhejiang.
TEL: 0086-574-62553380
FAX: 0086-574-62530066
ZIP: 315400
E-mail: sales@sunnyoptical.com