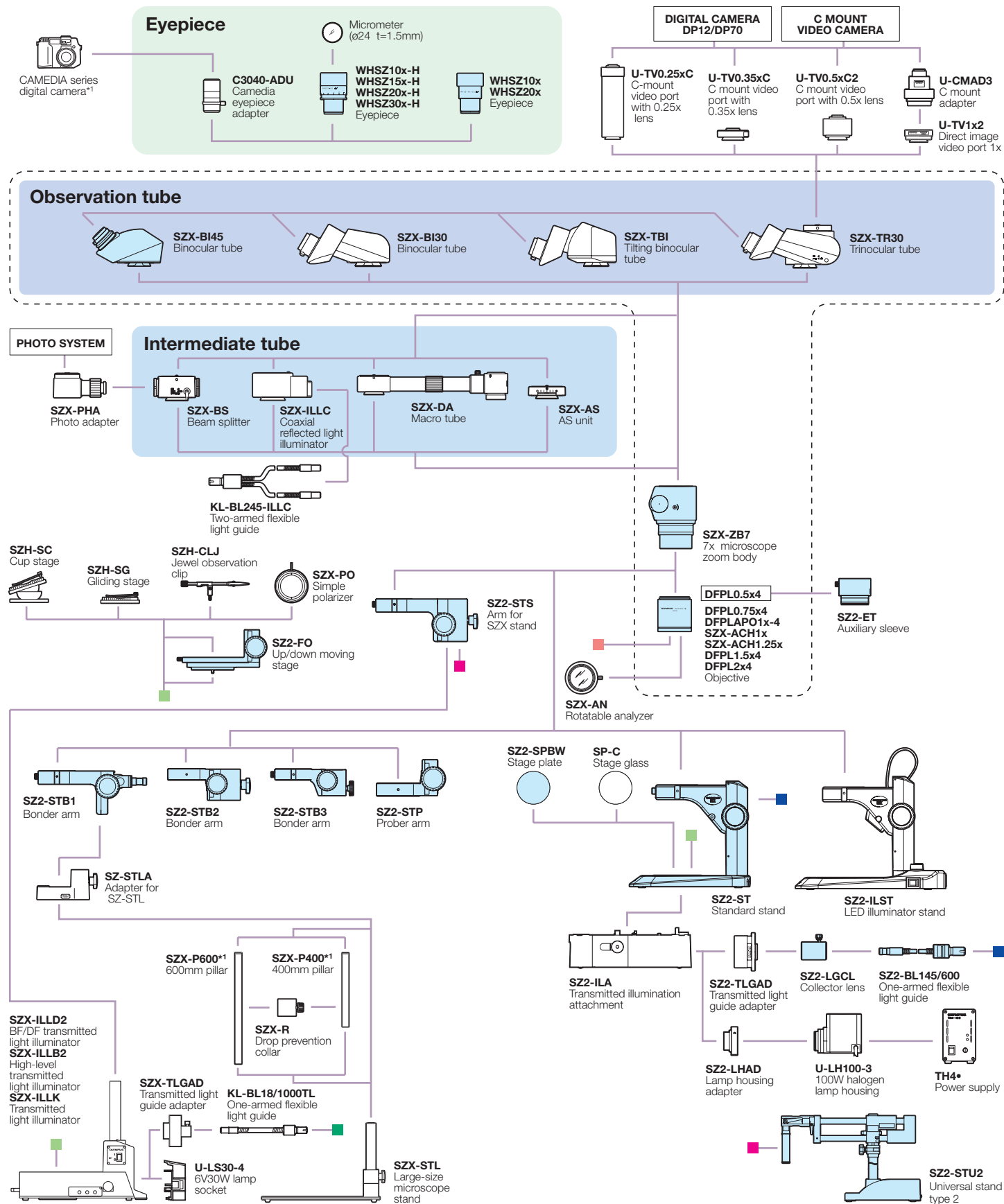


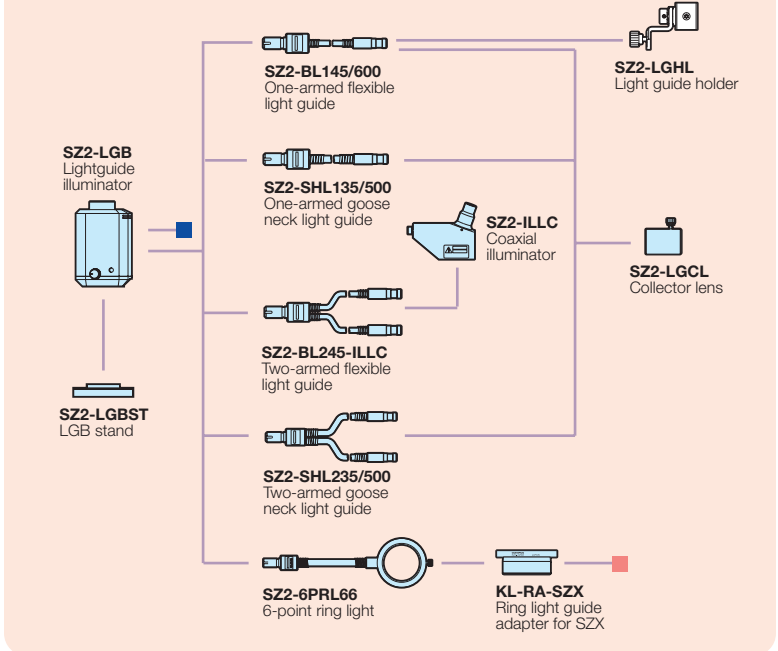
■ SZX7 system diagram



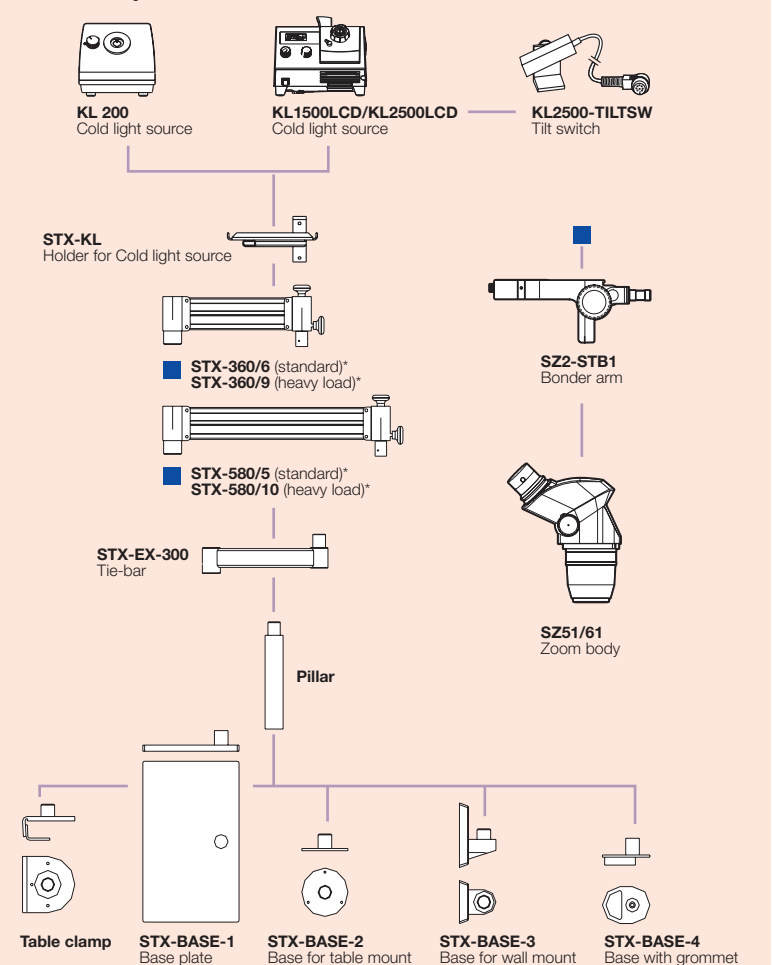
ESD compatible

*1 SZX-P400 and SZX-P600 can be attached to the transmitted light illuminators.

SZ2-LGB Lightsource



STX Suspension arm



*Suspension arm set including pillar and table clamp