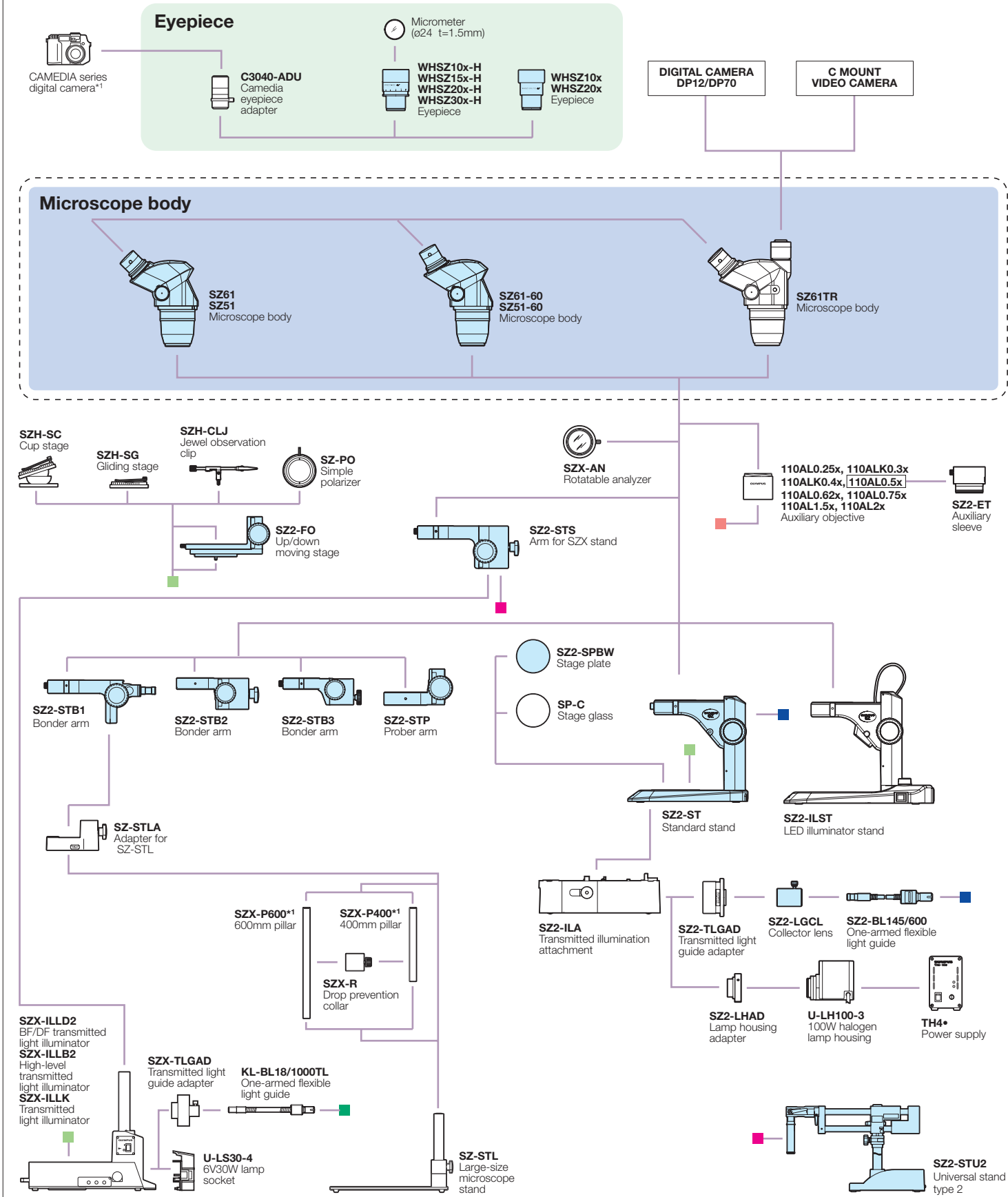
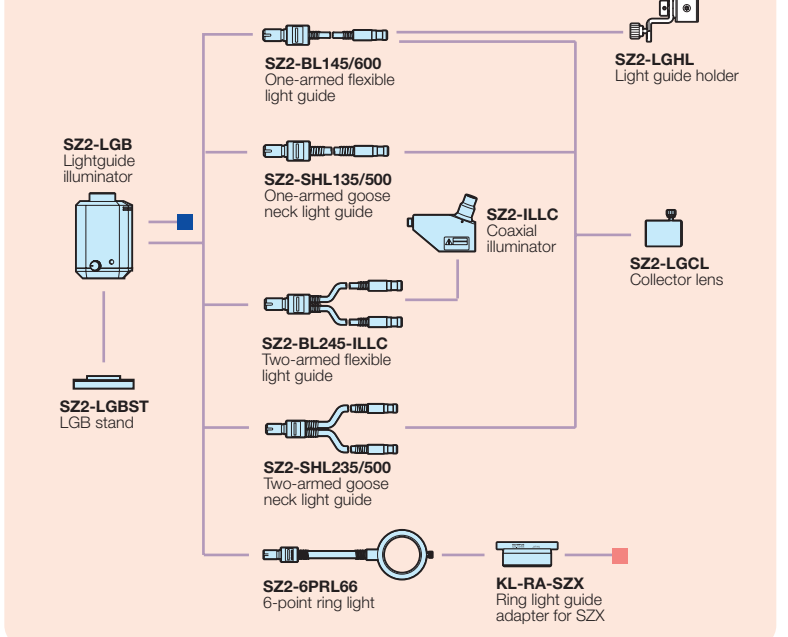


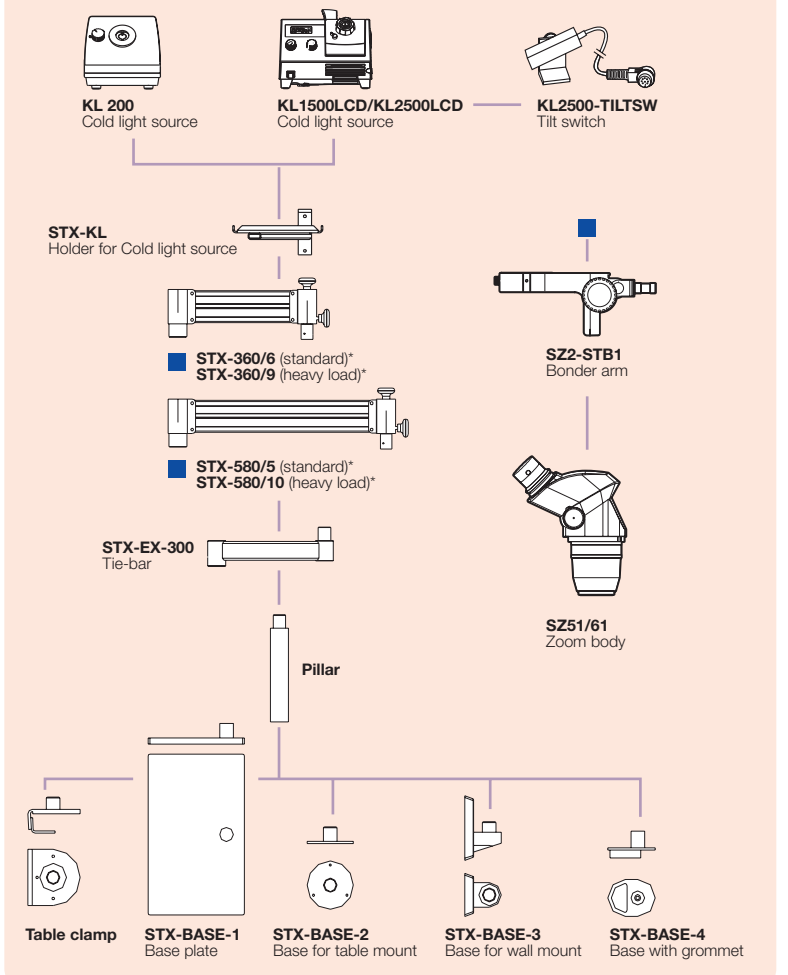
## SZ61/SZ51 system diagram



## SZ2-LGB Lightsource



## STX Suspension arm



ESD compatible

\*1 SZX-P400 and SZX-P600 can be attached to the transmitted light illuminators.

\*Suspension arm set including pillar and table clamp